



## FBA Series Universal Panel Bender

- Full touch man-machine interface, powerful CNC system
- Optimal core configuration and parameter matching provide a stable operating experience
- Simple style appearance design, beautiful and generous
- Energy saving, environmental protection, low energy consumption, low noise

Rich configuration Flexible collocation



#### Folding beam

- The main body is integrally cast with high-strength material, and the structure is optimized through cosmos finite element dynamic analysis, which reduces the transmission load weight and improves the transmission rigidity, which is more conducive to a high-dynamic and high-response transmission system



#### Folding beam transmission mechanism

- Servo motor equipped with low-backlash planetary reducer and heavy-duty high-precision grinding screw drive folding mold to run according to the planned path
- Compact structure, reasonable load power matching, high transmission stability



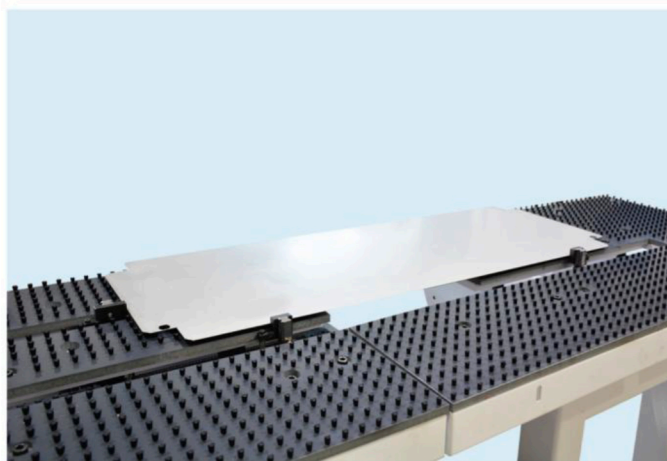
#### Compression mold

- After quenching, the mold base is processed by a high-precision grinder to ensure accuracy consistency and stability in use



#### Rotation drive device

- The suction cup device has a mesh plate suction function, which is suitable for a variety of applications
- The quick-release suction cup device can be quickly exchanged according to the size of the customer's workpiece



#### Positioning device

- Semi-automatic positioning device can quickly align the position of the plate and improve the processing efficiency



#### Hinged mold

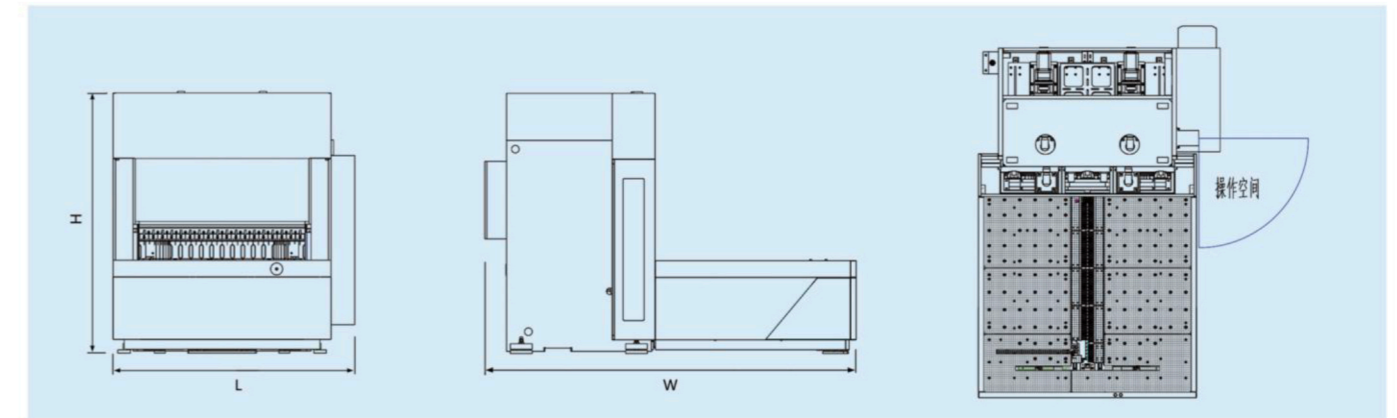
- It can be adapted to the processing of complex-shaped workpieces and make up for the shortcomings of fixed compression molds

Rich configuration Flexible collocation

Leading parameters Excellent performance



## TECHNICAL SPECIFICATIONS



### Germany BECKHOFF CNC system

- 15 "color display touch screen (optional 17")
- Storage space for more than 20,000 programs
- Data storage via USB
- Interface programming and 2D bending simulation
- Offline programming function (optional)
- Automatic calculation of pressing force, folding pressure and safe area
- Convenient and quick size and angle correction
- Automated wiring interface (optional)
- System diagnosis function

Model	Maximum diagonal length of sheet mm	Max folding length mm	Max folding height mm	Max sheet thickness			Min. sheet thickness mm	Servo axis	Total power /KW	Dimensions LxWxH mm	Machine weight kg
				Mild steel 410N/mm <sup>2</sup>	SS 660N/mm <sup>2</sup>	Al Alloy 265N/mm <sup>2</sup>					
FBA1516(Suction cup)	1850	1500	165	1.2	0.8	1.6	0.5	9	25	3.4*2.2*2.45	9500
FBA1516	1850	1500	165	1.2	0.8	1.6	0.5	12	28	4.4*2.2*2.45	10000
FBA2016	2400	2000	165	2	1.2	3	0.5	12	36	4.5*2.8*2.8	14000
FBA2020	2400	2000	200	2	1.2	3	0.5	12	36	4.5*2.8*3	17000
FBA2030	2400	2000	300	2	1.2	3	0.5	12	36	4.6*2.8*3.2	18500